

Masport[®] Heating

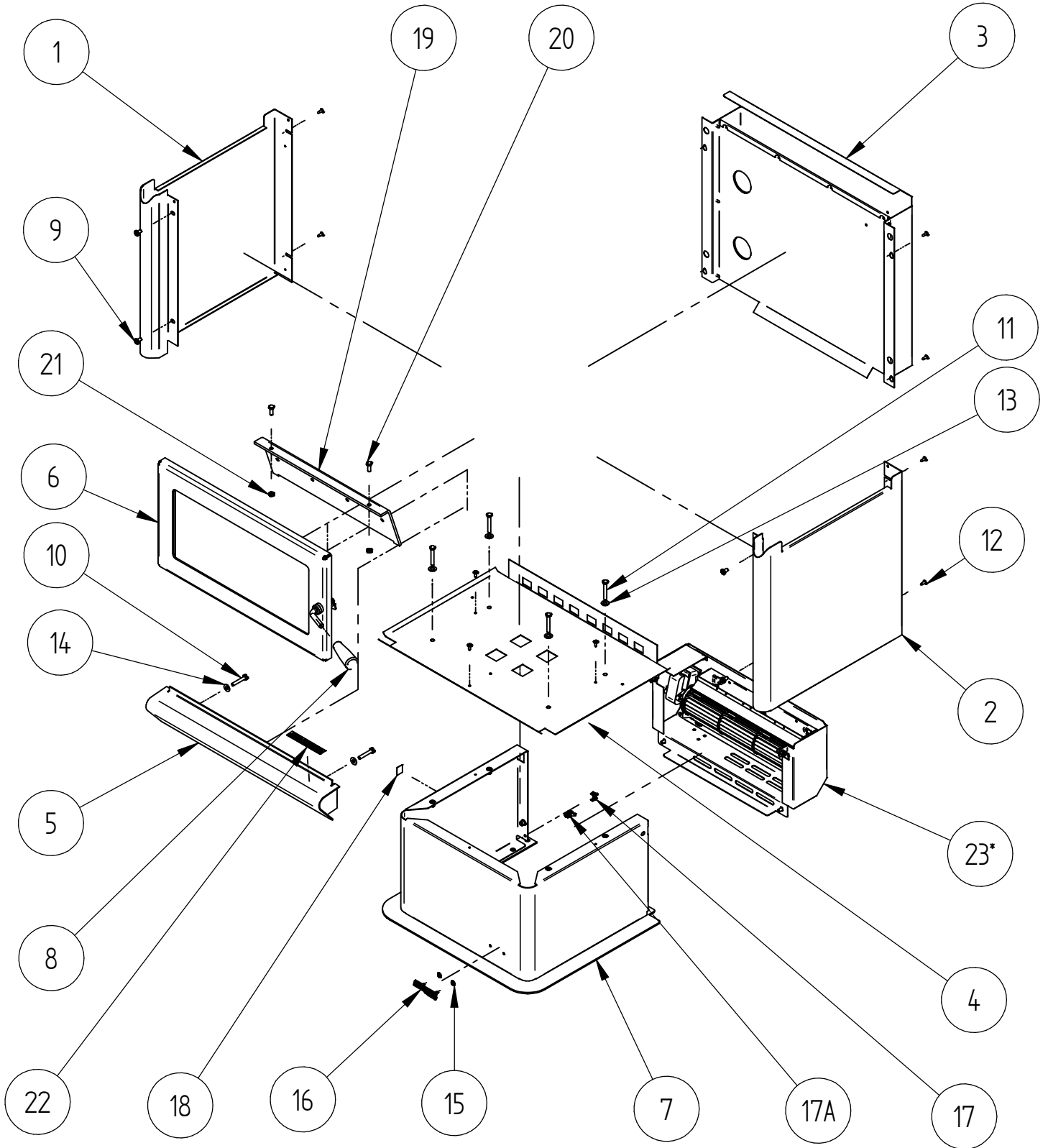
FREESTANDING WOOD FIRES

R1500 - AUSTRALIA

Item No.	MARKET	FUEL TYPE	FINISH	YEAR	FAN
993927	AU	HARDWOOD	Metallic Black VHT Paint	DEC-2011	Optional



PANELS, DOOR AND PEDESTAL

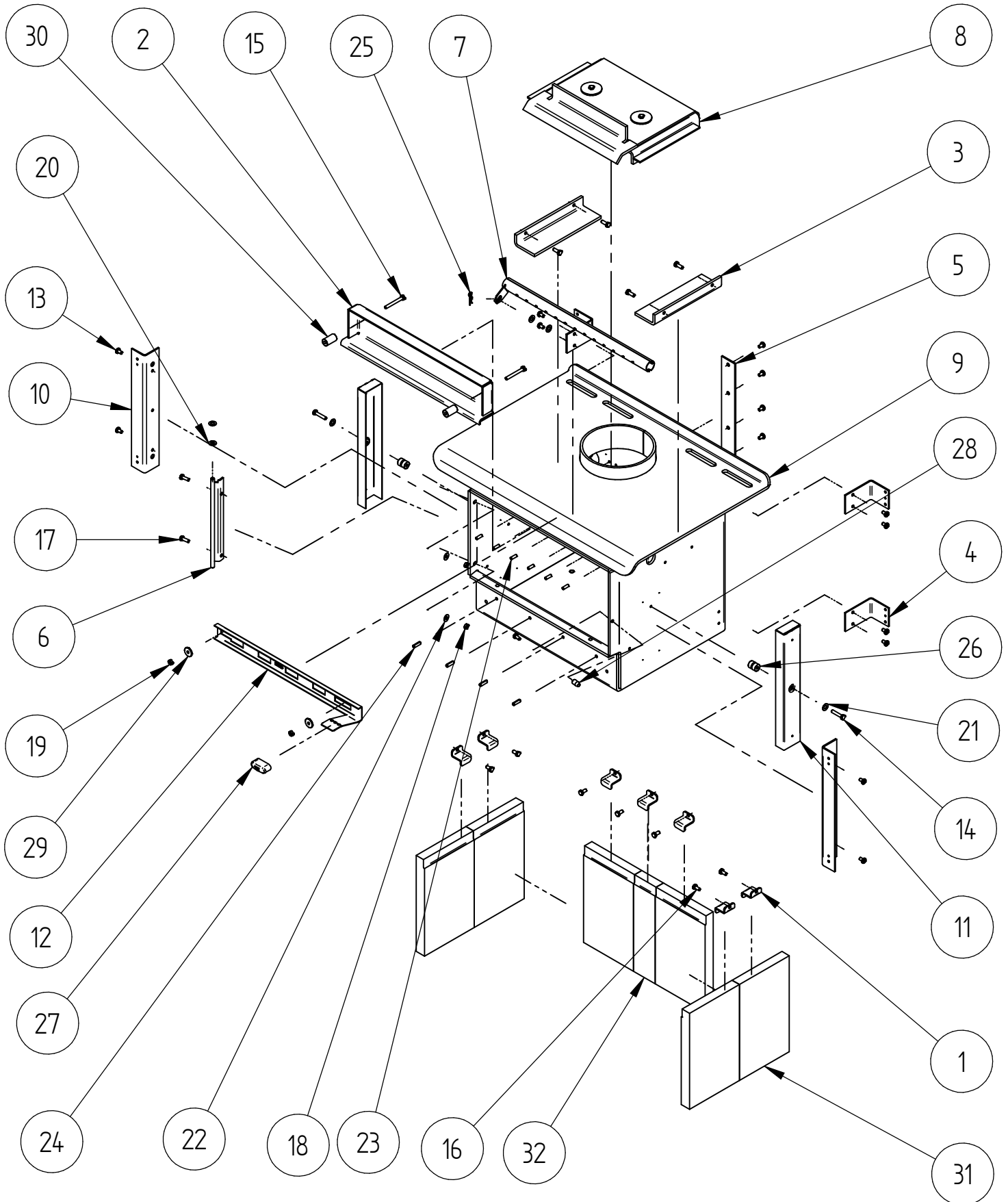


When ordering PLEASE QUOTE PART ID along with Finish Suffix (if applicable)

PANELS, DOOR AND PEDESTAL				
Item	Part ID	Model(s)	Description	Qty
		993927		
1	993756	V02	R1500 SIDE PANEL L/H	1
2	993755	V02	R1500 R/H SIDE PANEL	1
3	993787	V02	R1500 AUS AIR DUCT ASSY	1
4	993775	-	R1500 BASE HEAT SHIELD	1
5	993768	V02	R1500 ASHLIP ASSEMBLY	1
6	993790	V02	R1500 FINISHED DOOR ASSEMBLY	1
7	993783	V02	R1500 PEDESTAL SUB ASSY	1
8	MIC00376	-	MIC DOOR HANDLE	1
9	521045	-	SCREW; M6X10 PAN POZI BLK	4
10	521060	-	SCREW; M6X35 HEX ZP	2
11	521077	-	SCREW; M6X40 HEX ZP	4
12	521645	-	SCREW; S/T 8GX1/2" MUSH FLANGE POZI BLK	11
13	523019	-	WASHER; FLAT 5/16"X5/8"X16G ZP	4
14	523036	-	WASHER; FLAT 1/4"X5/8" BLK	2
15	526009	-	CLIP; STARLOCK M4	2
16	587835	-	BADGE MASPORT HEATING	1
17	596603	-	EARTH TAB RIVET BN11	1
17A	993789	-	EARTH CONNECTION SET	1
18	585631	-	DECAL EARTH	1
19	993776	-	R1500 F/B BASE AIR DEFLECTOR	1
20	521052	-	SCREW; M6X16 HEX BLK	2
21	522107	-	NUT; HEX STD M6 BLK	2
22	595695	-	DECAL "BURN ONLY" COMBINED NZ/AUS	1
23*	993762	-	R1500 AUS FAN COMPLETE	1

*Optional Sale Kit

AIRSLIDE, BAFFLE, BRICKS AND FIREBOX



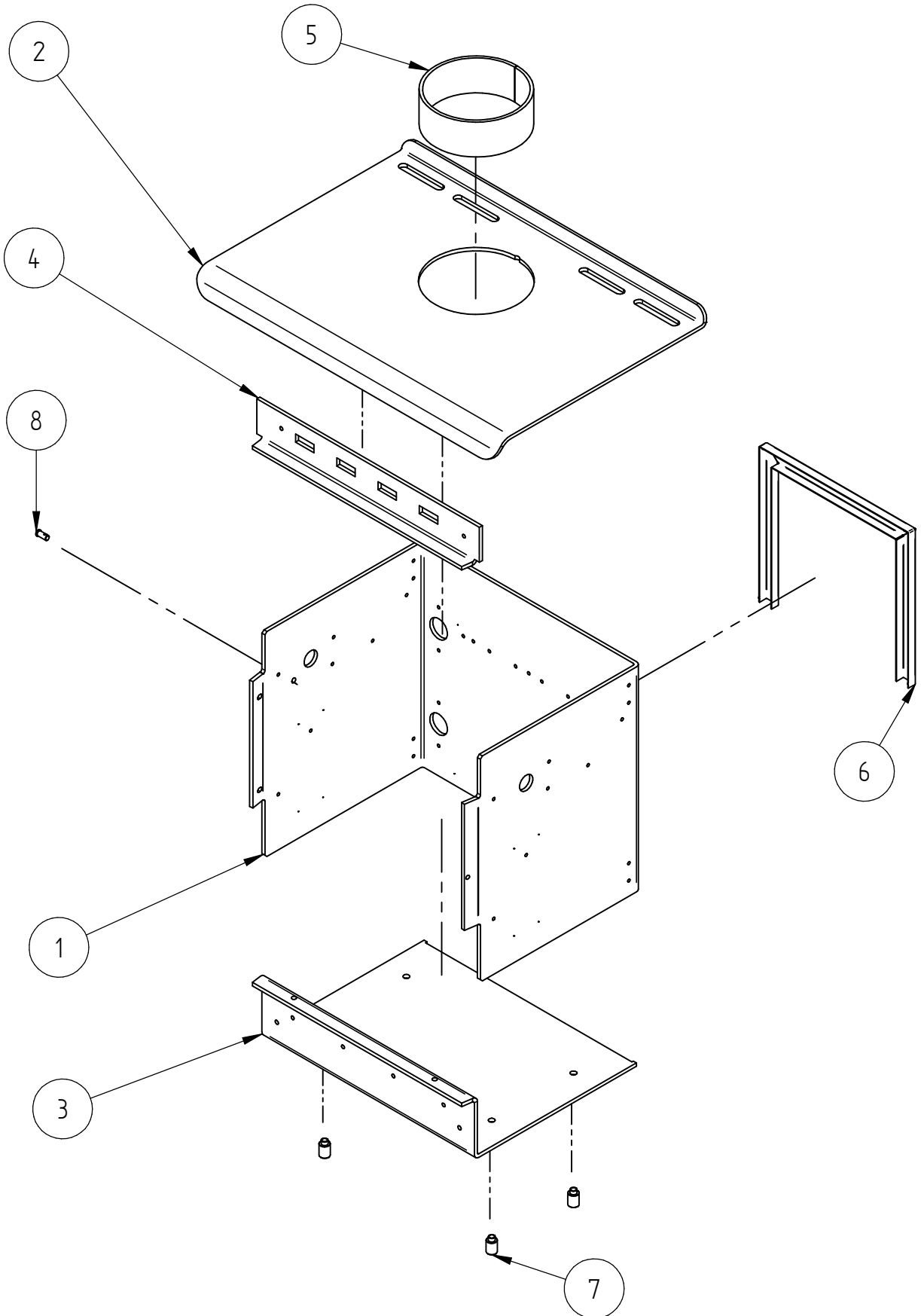
When ordering PLEASE QUOTE PART ID along with Finish Suffix (if applicable)

AIRSLIDE, BAFFLE, BRICKS AND FIREBOX				
Item	Part ID	Model(s)	Description	Qty
		993927		
1	HBA00118	-	HBA BRICK RETAINER	7
2	MIC00102	-	MIC AIR DEFLECTOR	1
3	MIC00116	-	MIC BAFFLE SUPPORTS	2
4	MIC00130	-	MIC REAR BODY MOUNT BRKT	4
5	MIC00135	-	MIC WET BACK COVER PLATE	1
6	MICAC190	-	MIC DOOR HINGE ASSEMBLY	1
7	993777	-	R1500 AIR BAR ASSEMBLY	1
8	993773	-	R1500 BAFFLE SUB ASSEMBLY	1
9	993785	-	R1500 F/B ASSY AUS	1
10	MIR00183	-	MIR DOOR RIDDLE	2
11	MIC00123	-	MIC SEC AIR CHANNEL	2
12	993784	-	R1500 AIRSLIDE AUS	1
13	521046	-	SCREW; M6X10 PAN POZI ZP	16
14	521059	-	SCREW; M6X30 HEX ZP	2
15	521061	-	SCREW; M6X50 HEX ZP	2
16	521075	-	SCREW; M6X12 HEX ZP	8
17	521076	-	SCREW; M6X16 HEX ZP	6
18	522107	-	NUT; HEX STD M6 BLK	2
19	522117	-	NUT; HEX STD M6 ZP	2
20	523018	-	WASHER; FLAT 5/16"X5/8" BLK	2
21	523019	-	WASHER; FLAT 5/16"X5/8"X16G ZP	4
22	523036	-	WASHER; FLAT 1/4"X5/8" BLK	2
23	525002	-	PIN; TENSION 5X16 BLK	6
24	525006	-	PIN; TENSION 6X12 BLK	4
25	526101	-	CLIP; R-CLIP 1.8 DIA ST	1
26	HBA00129	-	HBA AIR DEFLECTOR SPACER	2
27	593568	-	AIR SLIDE KNOB PUSH ON	1
28	MIC00079	-	LOGAIRE CATCH PIN	1
29	MIC00083	-	LOGAIRE METRO AIR SLIDE SPACER	2
30	MIC00129	-	MIC AIR DEFLECTOR BUSH	2
31	MIC00354	-	MIC BRICK	6
32	MIC00355	-	MIC BRICK HALF	1

*Optional Sale Kit

When ordering PLEASE QUOTE PART ID along with Finish Suffix (if applicable)

FIREBOX DETAILS

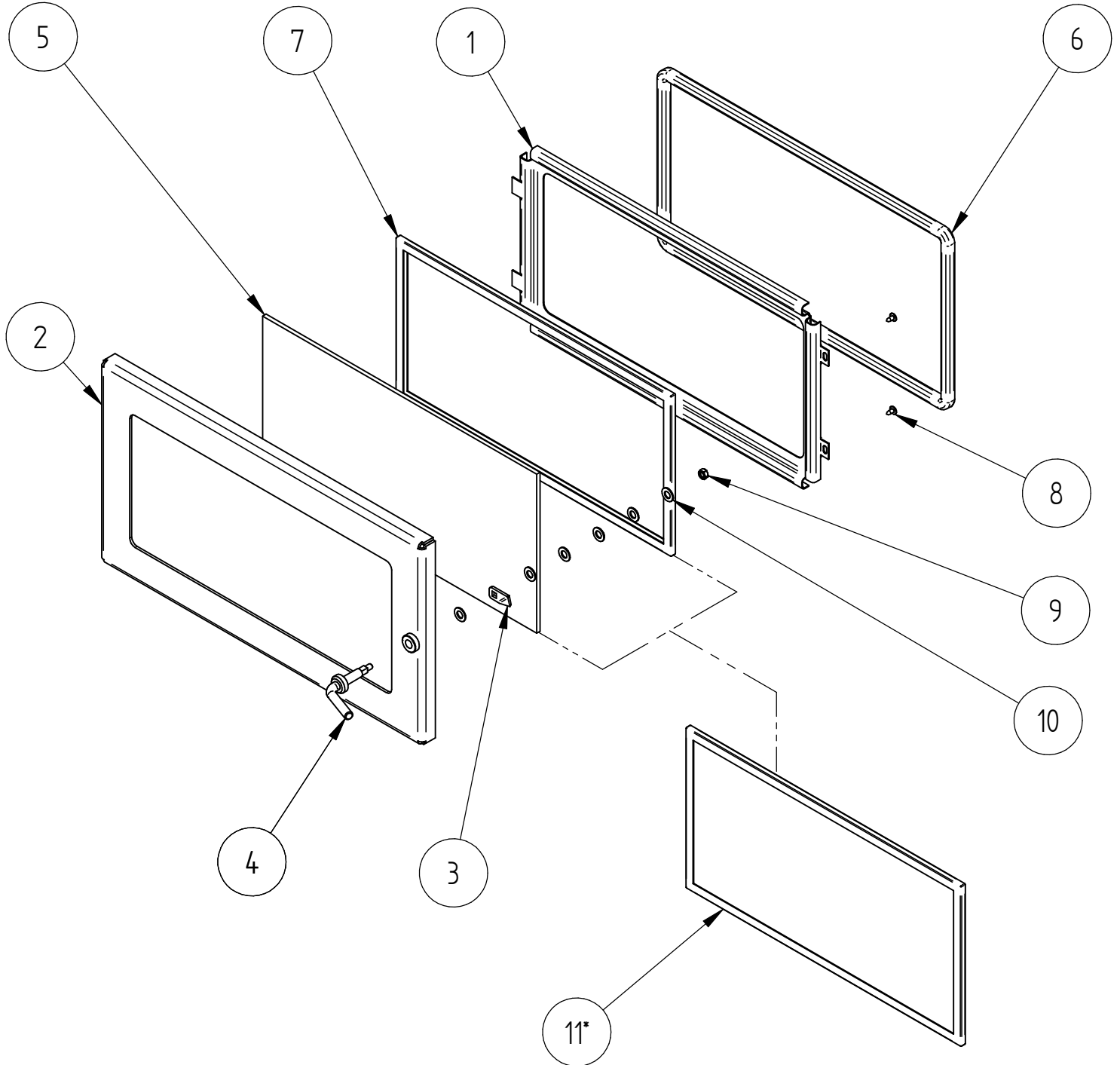


When ordering PLEASE QUOTE PART ID along with Finish Suffix (if applicable)

FIREBOX DETAILS: 993785				
Item	Part ID	Model(s)	Description	Qty
		993927		
1	993753	-	R1500 F/B WRAP	1
2	993751	-	R1500 F/B COOK TOP	1
3	993786	-	R1500 F/B BOTTOM AUS	1
4	993752	-	R1500 F/B TOP FRONT	1
5	MIC00120	-	MIC SPIGOT	1
6	MIR00219	-	MIR REAR HEAT CHANNEL	1
7	MET00429	-	FIREBOX BUSH - SPIGOTED	4
8	MIC00137	-	MIC AIRBAR PIN	1

When ordering PLEASE QUOTE PART ID along with Finish Suffix (if applicable)

DOOR ASSEMBLY

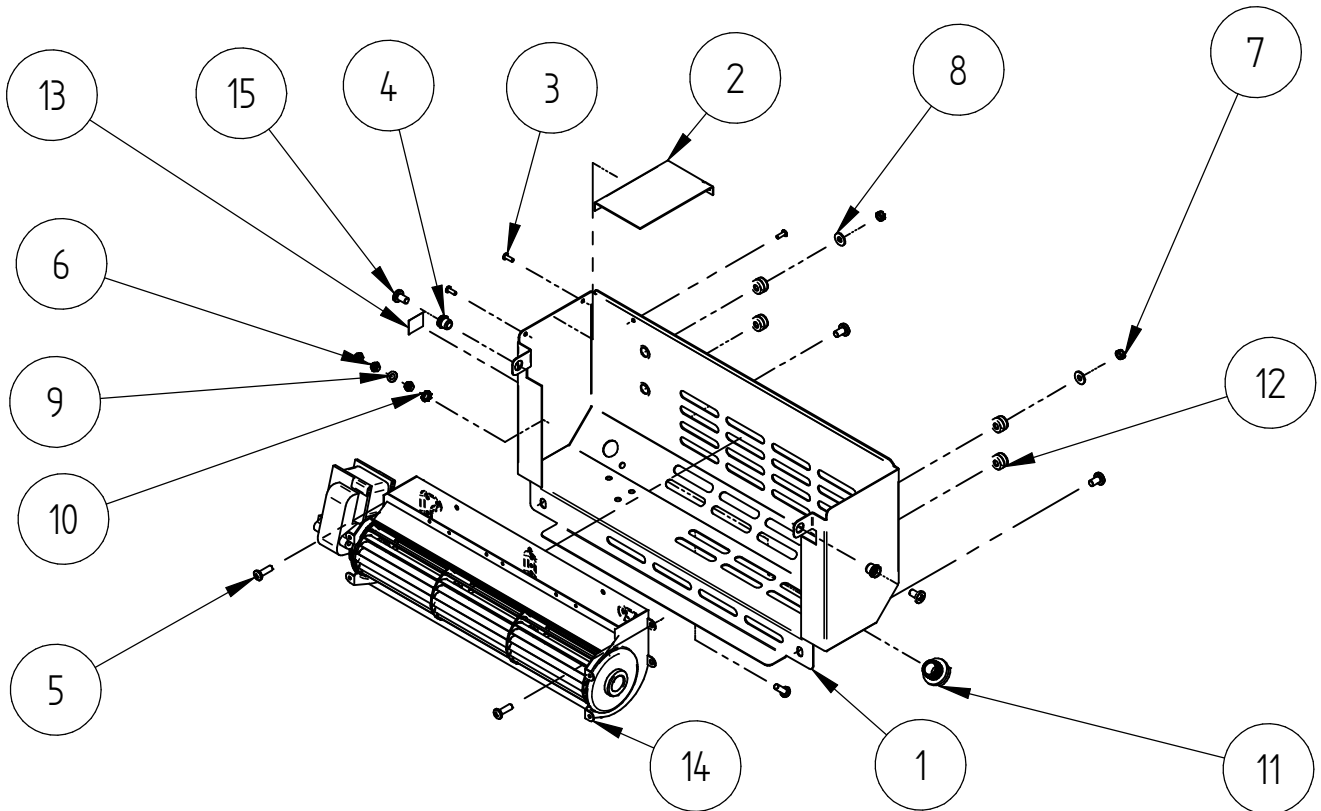


When ordering PLEASE QUOTE PART ID along with Finish Suffix (if applicable)

DOOR ASSEMBLY				
Item	Part ID	Model(s)	Description	Qty
		993927		
		993790V02		
1	MIC00034	-	MIC GLASS RETAINER	1
2	MWSAC030	V02	MWS DOOR FRAME COMPLETE SUB ASSEMBLY	1
3	MIC00133	-	MIC DOOR LATCH PLATE	1
4	MIC00373	-	DOOR SPINDLE	1
5	MIC00204	-	MIC GLASS	1
6	C13MMDR	-	DOOR ROPE	1
7	C25MMLT	-	LADDER TAPE 25x3x50m ROLL (MTR)	1
8	521627	-	SCREW; S/T 8GX3/8" MUSH FLANGE POZI BLK	2
9	522117	-	NUT; HEX STD M6 ZP	1
10	523018	-	WASHER; FLAT 5/16"X5/8" BLK	6
11*	MICAC204	-	DOOR GLASS KIT	1

*Optional Sale Kit

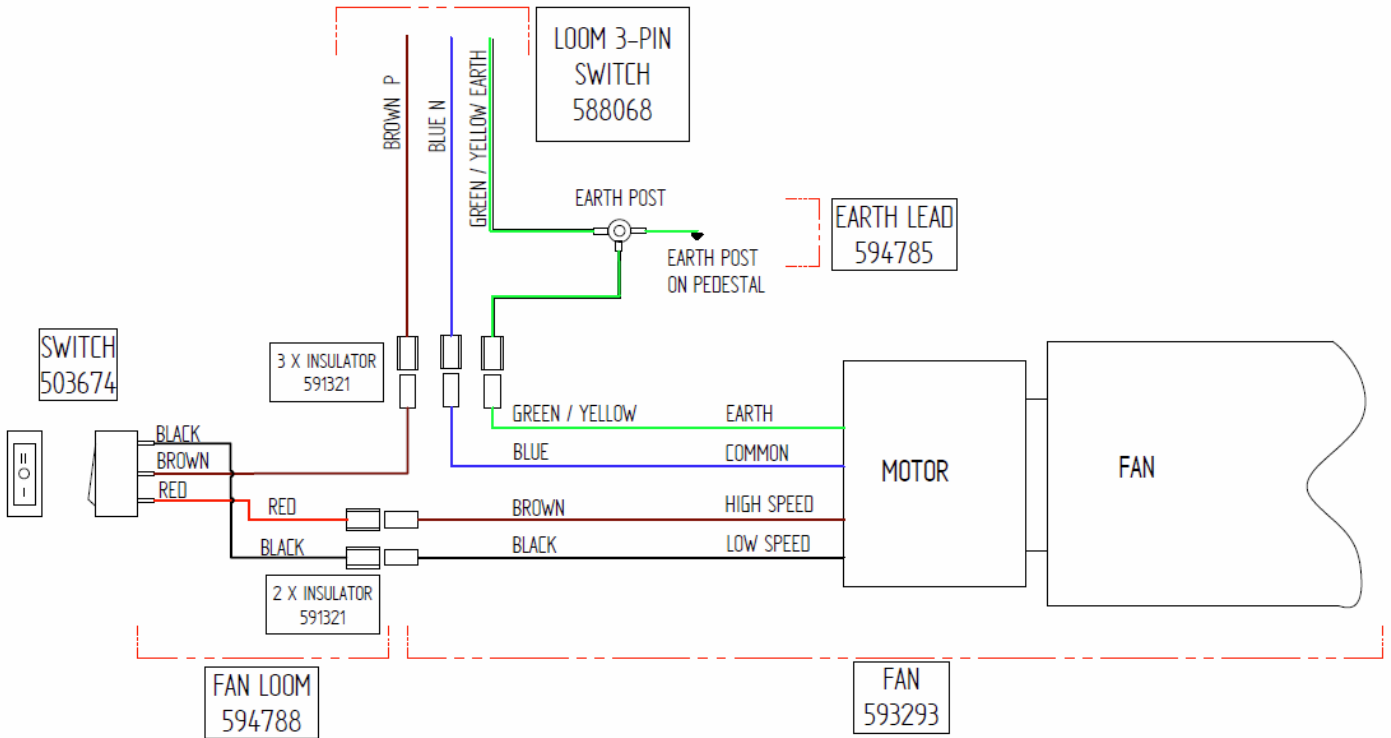
FAN BOX ASSEMBLY



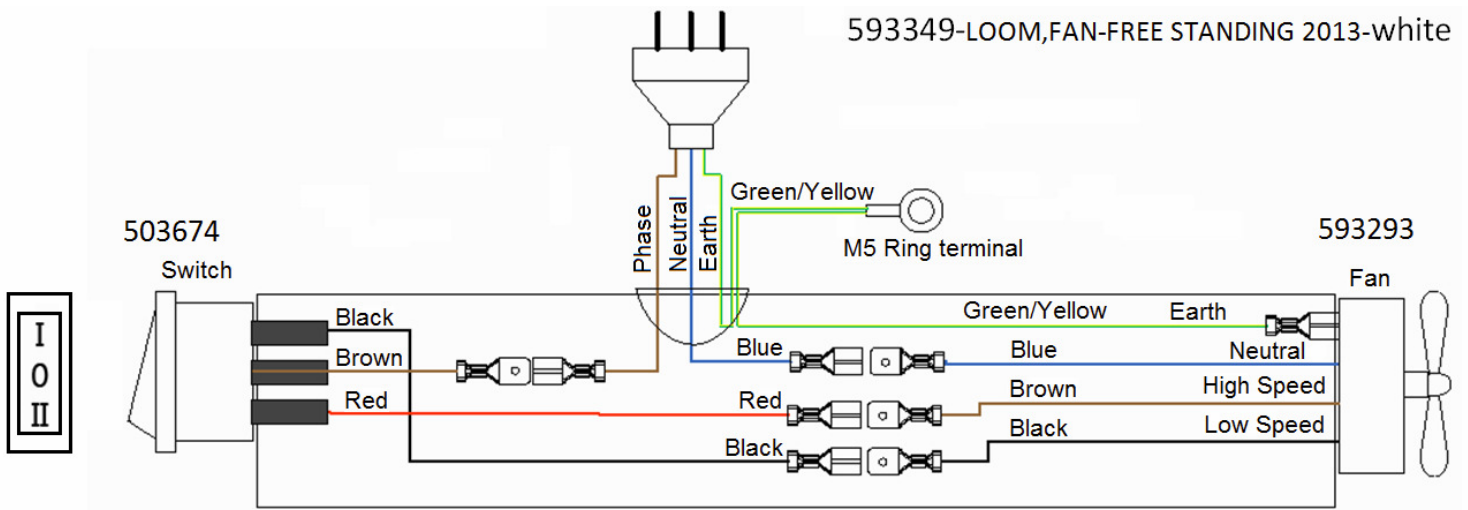
FAN BOX ASSEMBLY				
Item	Part ID	Model(s)	Description	Qty
		993927		
1	993761	P01	R1500 FAN BOX COVER AUS	1
2	994794	-	SHIELD FAN PANEL FERGAS F3000	1
3	524002	-	RIVET; 73 AS 4-3	3
4	522605	-	NUT; RIVNUT STD/FLANGE M6	2
5	521033	-	SCREW; M5X16 PAN POZI BLK	3
6	522106	-	NUT; HEX STD M5 ZP	2
7	522305	-	NUT; NYLOCK M5 ZP	3
8	523000	-	WASHER; FLAT 3/16"X1/2"X18G ZP	2
9	523028	-	WASHER; FLAT M5 BRS	1
10	523204	-	WASHER; STAR M5 EXT	1
11	529201	-	CLAMP; CABLE 16 LITTLE GRIPPER	1
12	529402	-	GROMMET; 14X6	4
13	585631	-	DECAL EARTH	1
14	593293	-	FAN-2 SP TANG W/F INB FERGAS 76118	1
15	521045	-	SCREW; M6X10 PAN POZI BLK	4

When ordering PLEASE QUOTE PART ID along with Finish Suffix (if applicable)

FAN LOOM DIAGRAM



FAN WIRING DIAGRAM W/F FREESTANDING 2011-2013 (AUSTRALIAN MODELS ONLY)



FAN WIRING DIAGRAM W/F FREESTANDING 2013 ONWARDS

When ordering PLEASE QUOTE PART ID along with Finish Suffix (if applicable)

NOT ILLUSTRATED				
Item	Part ID	Model(s)	Description	Qty
		993927		
1	593286	-	OWNER MANUAL WOODFIRES	1
2	593287	-	INSTALL MANUAL WOODFIRES	1
3	593791	-	R1500 INSTALLATION DATA SHEET	1
4	593794	-	INSTRUCTION - BRICK LAYOUT	1

SURFACE FINISH CODES FOR PANELS						
VITREOUS ENAMEL		VHT PAINT(Very High Temp)			POWDER COAT	
E01	MATT BLACK	V02	P-000022	METALLIC BLACK	P02	MATT BLACK
E02	GLOSS BLACK	V03	P-000043	CHARCOAL	P03	CHARCOAL
E03	CHARCOAL	V04	P-000081	TITANIUM	P05	SATIN BLACK
		V05	P-000051	CHARCOAL (DAM MET BLK)	P09	METTALIC BLACK
		V06	P-000052	METALLIC BLACK ZINC		

LESS FREQUENTLY OR OLD SURFACE FINISH CODES FOR PANELS						
VITREOUS ENAMEL		VHT PAINT(Very High Temp)			POWDER COAT	
E04	JASMINE	V01		SATIN BLACK HIGH TEMP	P01	BLUE/BLACK
					P04	GLOSS CHARCOAL
					P07	FLAT BLACK

When ordering PLEASE QUOTE PART ID along with Finish Suffix (if applicable)